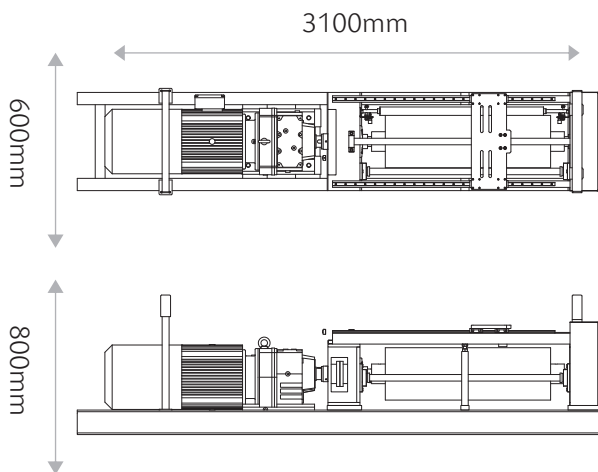
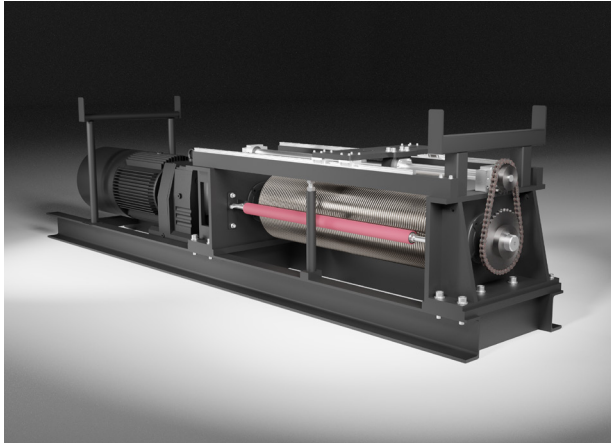




+ Newton JAF 22kw Fast

The Newton JAF is a medium sized winch that provides a longer length of travel. It is able to move loads of up to 1,500kg and will operate at speeds of up to 4 m/s. The Newton JAF has a large drum offering travel of up to 90m.



Winch Model	JAF
Variants	
Servo	
Asynchronous	•
Physical	
Height	800mm
Width	600mm
Depth	3100mm
Weight	1100kg
Wire Size	6mm 8mm 13mm
Performance	
Maximum Payload	500kg
Maximum Load Speed	4m/s
Maximum Travel	90m
Brakes	
Primary Brake	•
Secondary Brake	•
Feedback	
Primary Encoder	•
Secondary Encoder	•