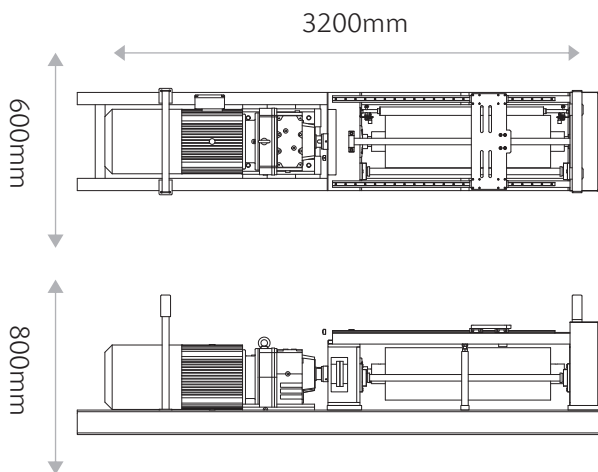
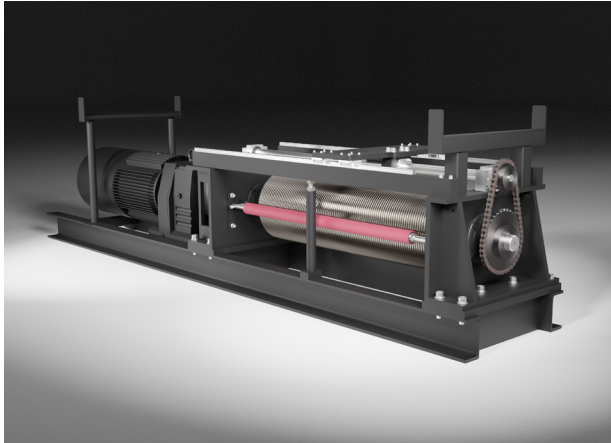




+ Newton JAF 30kw Fast

The Newton JAF is a medium sized winch that provides a longer length of travel. It is able to move loads of up to 1,500kg and will operate at speeds of up to 4 m/s. The Newton JAF has a large drum offering travel of up to 90m.



Winch Model	JAF
-------------	-----

Variants

Servo	
-------	--

Asynchronous	•
--------------	---

Physical

Height	800mm
--------	-------

Width	600mm
-------	-------

Depth	3200mm
-------	--------

Weight	1150kg
--------	--------

Wire Size	6mm 8mm 13mm
-----------	------------------

Performance

Maximum Payload	750kg
-----------------	-------

Maximum Load Speed	4m/s
--------------------	------

Maximum Travel	90m
----------------	-----

Brakes

Primary Brake	•
---------------	---

Secondary Brake	•
-----------------	---

Feedback

Primary Encoder	•
-----------------	---

Secondary Encoder	•
-------------------	---