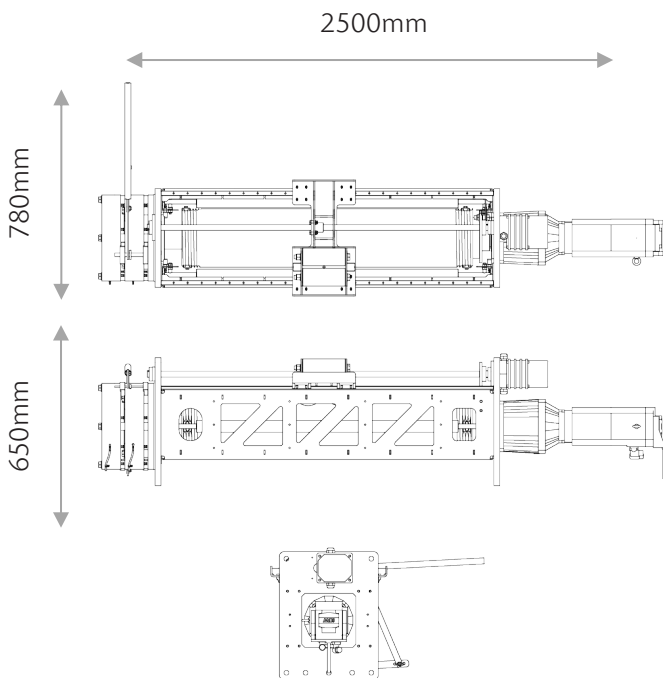
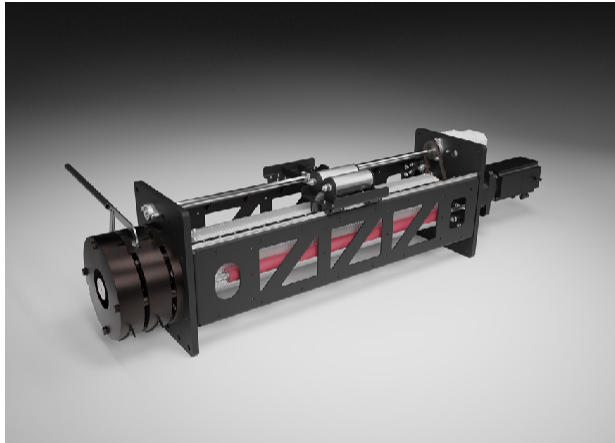




+

Newton Sochi

Designed specifically for the 2014 Sochi Olympic Ceremonies, these hoists were originally carriage mounted and could travel along a flown track system. The hoists are now used as a static unit. The payload makes them ideal for aerial performer flying or carrying scenic items. They feature a traveling wire divert table with cross groove detection.



Winch Model	Sochi
Variants	
Servo	•
Asynchronous	
Physical	
Height	780mm
Width	2500mm
Depth	650mm
Self-Weight	550kg
Wire size	10mm
Zero Fleet	NO
Performance	
Maximum Payload	700kg
Maximum Load Speed	2.5m/s
Maximum Travel	80m
Electrical Input	
Supply Voltage	415VAC 3ph+N+E
Supply Current	53A
Recommended Drive	Kepler 30S
Brakes	
Primary Brake	230V
Secondary Brake	230V
Feedback	
Primary Encoder	Resolver
Secondary Encoder	Incremental, 1024CPR
Limits	Fwd, Rev, Cross Groove, Ultimate Fwd/Rev