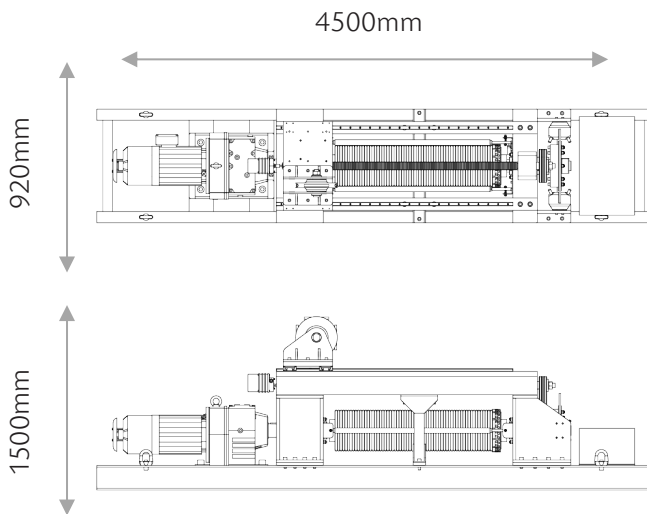
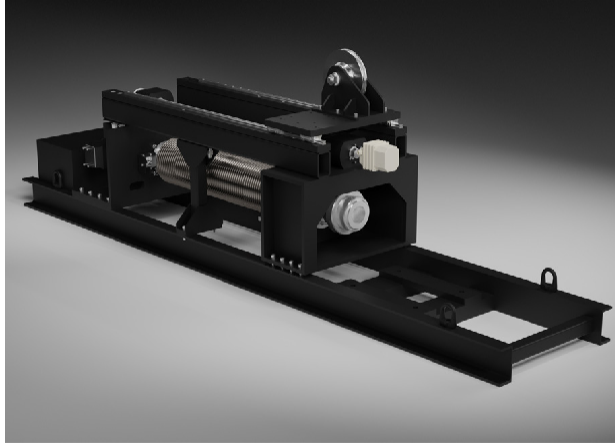




+

Newton Eclipse

The hoists have been designed to lift 3000 kg at 1.0 m/s. The helical grooved hoist drum is 294 mm diameter at the rope centres and has capacity for 50 m with additional safety turns of 18 mm Ø rope at a 20 mm pitch.



Winch Model	Eclipse
Variants	
Servo	
Asynchronous	•
Physical	
Height	1,500mm
Width	4,500mm
Depth	920mm
Self-Weight	3000kg
Wire size	18mm
Zero Fleet	NO
Performance	
Maximum Payload	3000kg
Maximum Load Speed	1.5m/s
Maximum Travel	58m
Electrical Input	
Supply Voltage	415VAC 3ph+N+E
Supply Current	125A
Recommended Drive	Kepler Eclipse
Brakes	
Primary Brake	230V
Secondary Brake	Hydraulic
Feedback	
Primary Encoder	Resolver
Secondary Encoder	Incremental, 1024CPR
Limits	Fwd, Rev, Cross Groove, Ultimate Fwd/Rev