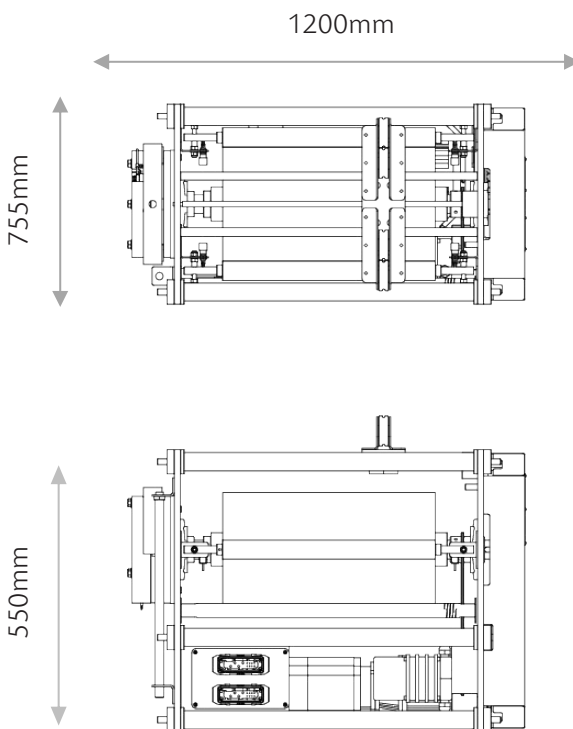




+

Newton PD4

These hoists are a compact hoist suitable for aerial performer flying or carrying scenic items. They feature a traveling wire divert table with cross groove detection. These hoists can be connected to standard 520 style truss either under or above the truss by means of Doughty 750kg parallel couplers.



Winch Model	PD4
Variants	
Servo	•
Asynchronous	•
Physical	
Height	755mm
Width	1200mm
Depth	550mm
Self-Weight	285kg
Wire size	6mm
Zero Fleet	NO
Performance	
Maximum Payload	200kg
Maximum Load Speed	0.0m/s – 5m/s
Maximum Travel	60m
Electrical Input	
Supply Voltage	415VAC 3ph+N+E
Supply Current	16A
Recommended Drive	Kepler 7.5S/A
Brakes	
Primary Brake	230V
Secondary Brake	230V
Feedback	
Primary Encoder	Resolver
Secondary Encoder	Incremental, 1024CPR
Limits	Fwd, Rev, Cross Groove, Ultimate Fwd/Rev