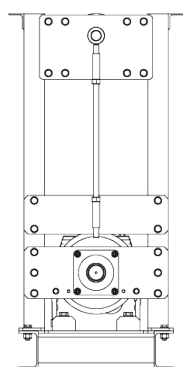
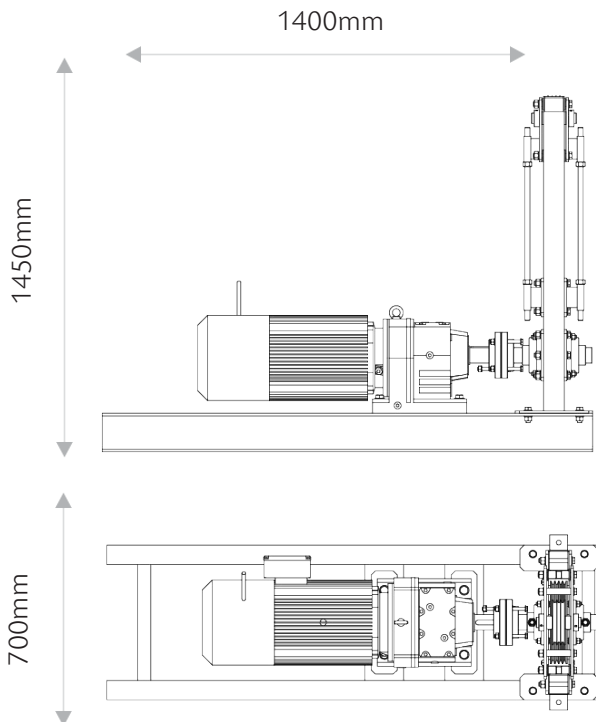
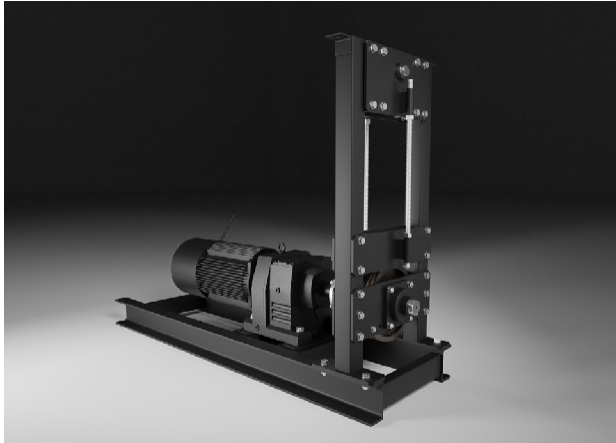




+

# Newton Traverse 7.5kw

This is our 7.5kW friction drive hoist and has the ability to have a variable wire length. The tension in the wire is achieved by adjusting the distance between the friction sheaves on the body of the sheave frame.



<b>Winch Model</b>	Traverse
--------------------	----------

### Variants

Servo	
Asynchronous	•

### Physical

Height	1450mm
Width	1400mm
Depth	700mm
Self-Weight	380kg
Wire size	6mm   8mm
Zero Fleet	

### Performance

Maximum Payload	400kg
Maximum Load Speed	2 m/s
Maximum Travel	Endless

### Electrical Input

Supply Voltage	415VAC 3ph+N+E
Supply Current	53A
Recommended Drive	Kepler 30A

### Brakes

Primary Brake	230V
Secondary Brake	230V

### Feedback

Primary Encoder	Resolver
Secondary Encoder	Incremental, 1024CPR
Limits	Fwd, Rev, Ultimate Fwd/Rev